

POPPIT INSTALLATION & USER GUIDE

bigHeads' unique Poppit fixing is a two component, male/female `Snap-Fastener' comprising a ball and socket joint.





To ensure your Poppit maintains a strong grip over many `snaps' and a long life please follow the guide below.

Poppit Step by Step Installation Guide

- **Do** ensure both male and female parts are protected from mechanical and chemical damage.
- **Don't** allow ingress of bonding adhesive or loose materials into the `snap' cavity of the female fitting.



Fix your panels in 4 easy steps using bigBond self-adhesive pads:

Preparation: Remove dust, dirt, oil or grease from both surfaces, ensuring they are clean and dry.

Step 1	Step 2	Step 3	Step 4
			
Stick the pad onto the Poppit.	Stick the Poppits to the panel. You can stick either the male (steel) or female (plastic) side to your panel. The pads should bond the Poppits instantly.	Stick the pad onto the Poppit.	Press the panel to the wall with even pressure. 70% of the full sticking power is reached after 1 hour and full strength after 24 hrs.

Fix your panels in 4 easy steps using BigBond glues:

Preparation: Remove dust, dirt, oil or grease from both surfaces, ensuring they are clean and dry.

Step 1	Step 2	Step 3	Step 4
			
Apply the glue to the panel.	Stick the Poppits to the panel. You can stick either the male (steel) or female (plastic) side to your panel. Make sure the glue has cured before proceeding to step 3.	Apply the glue to the Poppit.	Press the panel to the wall with even pressure until the glue is cured. As glues can take time to cure, we recommend holding the panel in place with a prop.

bigHead Poppit Fasteners....Do's & Don'ts

Mounting & Demounting

- **Do** ensure the male and female parts are correctly aligned before snapping into place. Misalignment combined with excessive force can damage the female jaws and reduce the grip.
- **Do** ensure, when unsnapping a Poppit that the force is applied evenly around the fitting, to reduce side loading on the jaws of the female part.

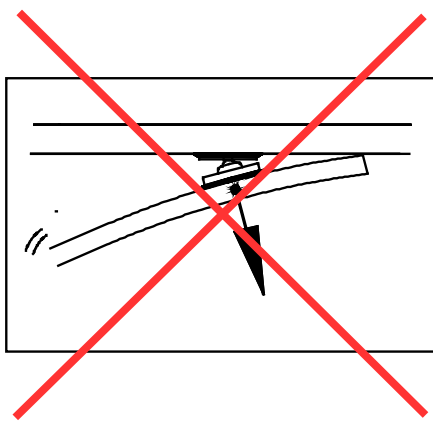


Fig. 1

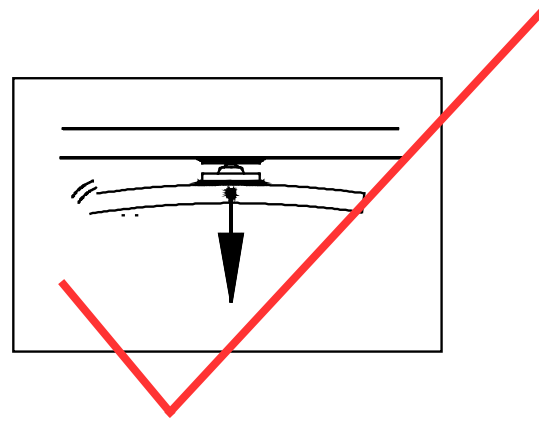


Fig. 2

- **Don't** use the panel as a lever to `unsnap' the Poppit; Fig 1 & 2 above. bigHead recommend using a lever-bar to apply the force locally to the fitting, (similar to Fig 3 below)...

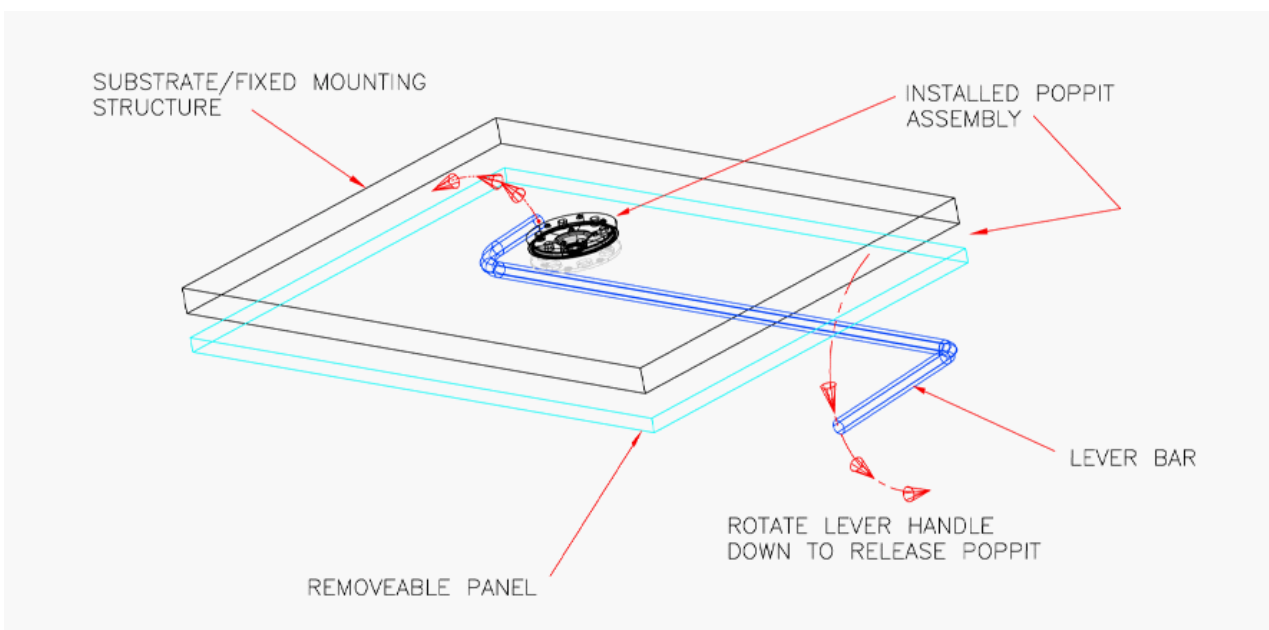


Fig. 3